



ID ROTO SOLUTION

From the idea to the object

ROTO MOLDING

Design & Calculation Company

ID ROTO SOLUTION is at your side for a complete range of services of Designing and calculations, from the costing to the industrialization of your rotomolding product.



REACTIVITY

You must give a **precise quote** but you only have mixed elements (sketch, 2D drawings, photos etc.), You want to present quickly to your customers **3D views and associated drawings**, you want a **feasibility study ...**

This formula is made for you !!

ID ROTO SOLUTION offers **adjustable study rates**. They vary from 2 to 5 days according to the data supplied.

Quote service



CREATIVITY

Pre-study / 3D Study

We intervene in **project technical definition** : drafting of specifications, solution research, choice of materials, **techno-economic feasibility**. We participate at the definition of the product during the design phases backing up of your teams.



TECHNICALITY

3D Design

Guidance on the choice of solution according to the specifications and the material chosen. **Definition, design and complete 3D modelling of the solution** (CAD software: Catia V5, Solidworks). We suggest you to use the FMEA method prior to the tooling launching.



OPTIMIZATION

Calculation

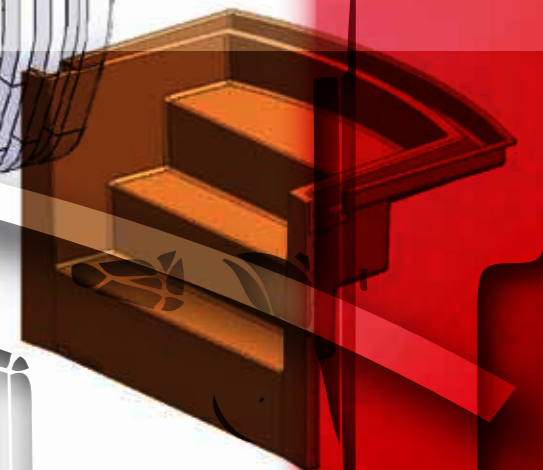
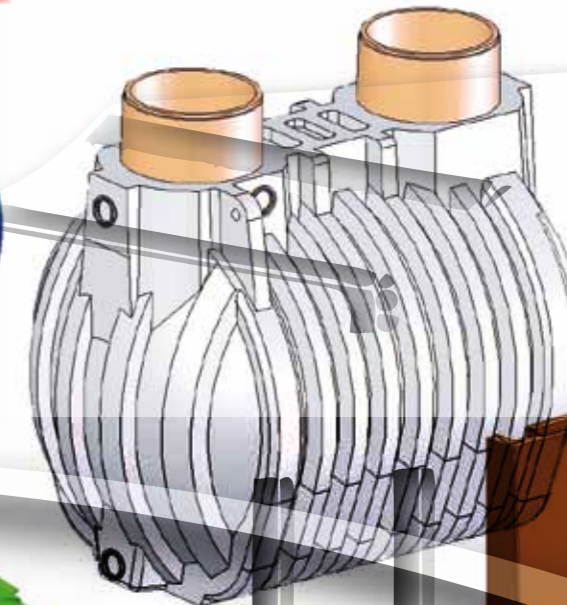
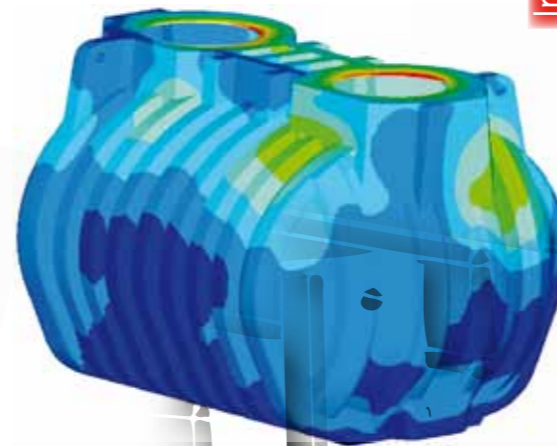
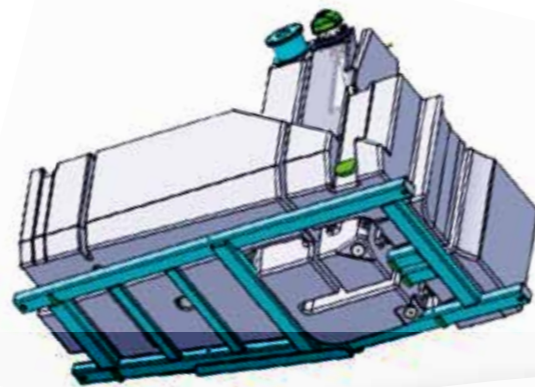
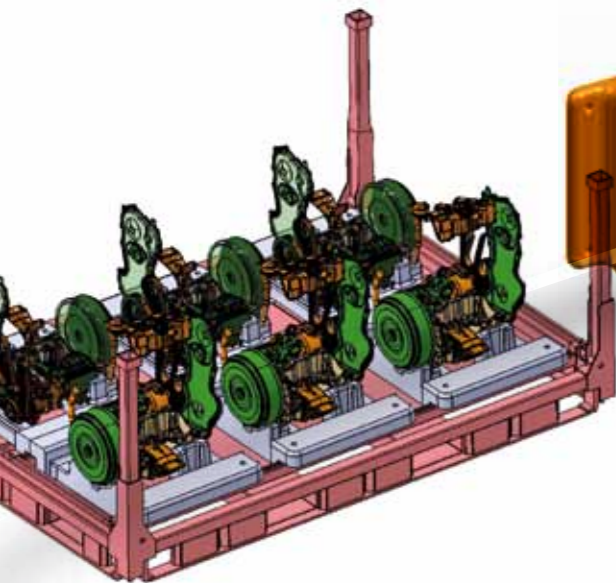
The optimization of a product (material, geometry and thickness) is an essential step in the design process. Through calculations, we can **predict the behaviour of your future product** according to the limits of your specifications.



SATISFACTION

Industrialisation

We consult for you mould makers and parts manufacturers. We can supervise the launch of your products in the manufacturing process. **ID ROTO SOLUTION has surrounded itself with external and collaborative skills to make and industrialize.**



Trained as a plastic manufacturer, for the past 15 years I have conceived, industrialised and produced plastic products. In the rotomolding industry, I created ID ROTO SOLUTION following my experience as a project leader in an international group and later in an independent Design Company.

My versatility allows me to intervene in the project at all levels. I would therefore be very happy to shoulder and achieve new success with you.



Philippe VIGOUROUX
ID ROTO SOLUTION

Many patented projects

For LISI AUTOMOTIVE (formerly RAPID)

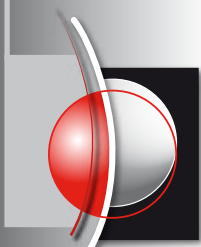
- 9501993 > Cables fastening (European patent)
- 9503284 > Plastic cap (International patent)
- 9515080 > Automatic plastic fastener (International patent)
- 9600337 > Plastic compound for automotive applications (European patent)
- 9809310 > Plastic cap (International patent)

For RENAULT

- 9711047 > Fastener for plastic car fender

For MSA GALLET

- 0706335 > Plastic material modification for helmet



ID ROTO SOLUTION

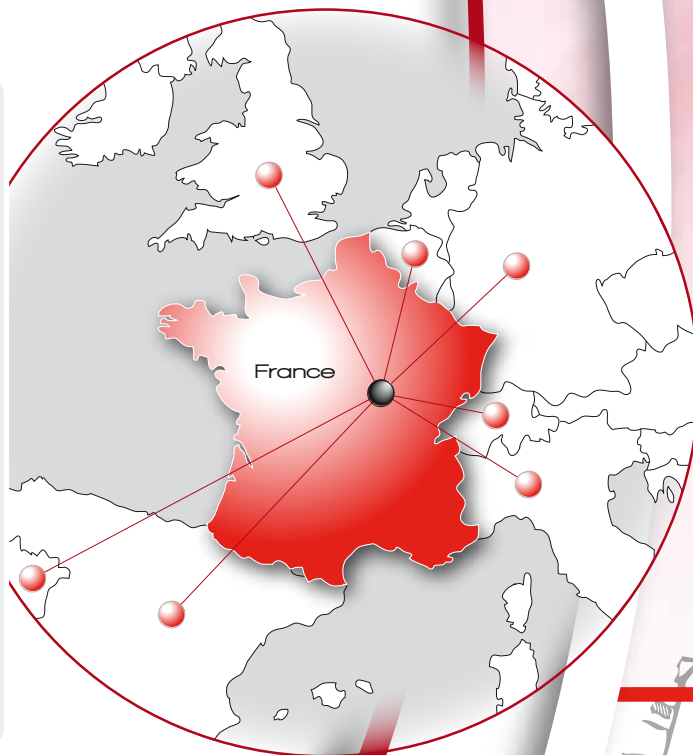
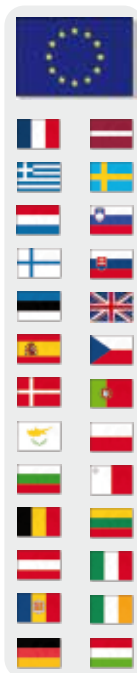
From the idea to the object

Tel/Fax +33 3 85 93 32 15

Mobile +33 6 83 74 40 40

p.vigouroux@idrotosolution.fr

5, rue des Tonneliers
F-71100 CHALON SUR SAONE
FRANCE



www.idrotosolution.fr

ID ROTO SOLUTION is member
of the AFR association



Association
Francophone
du Rotomoulage